

PARAM PUMPS

VERTICAL SUBMERGED PUMPS SERIES - PEV



Parmeshwar Engineering Works

14, Dena Industrial Estate, Behind Paper Products,
Majiwada, Thane: - 400 601. , Telefax: +91-22-2534 5402.

E-mail Add: - parampumps@yahoo.co.uk2

Visit us at <http://www.parampumps.com>

DESIGN FEATURES

- Closed as well as semi open Impeller construction
- Simple mounting –no foundation Needed
- Self priming
- Axial Adjustment maintains performance
- Vapour proof construction

CASING

Volute type designed for high efficiency. Precision bored to provide locked Fits & permanent alignment with adapter. Jacketed construction can be offered to meet specific requirement.

IMPELLER

Closed Impeller to operate at high efficiency. Wiping vanes prevent settling of solids behind the impeller. Impeller is keyed on to the shaft for secure fastening , cannot loosen under reverse rotation. Semi open impeller with replaceable wear plate can be offered for liquid having clogging tendencies.

COLUMN PIPE

Column pipe has welded flanges machined for true parallelism

INTERMEDIATE STEADY BEARING

Precision machined lock fits for positive alignment in the column pipe and secured in the housing by locking. Available in C.I. , CFT & GFT

SUPPORT PLATE

Mild Steel as as Standard if Desired , Cladding of competitive material can be given.

SHAFT

Of more than ample strength & rigidity with proper span between bearings to keep deflection & Vibration to minimum.

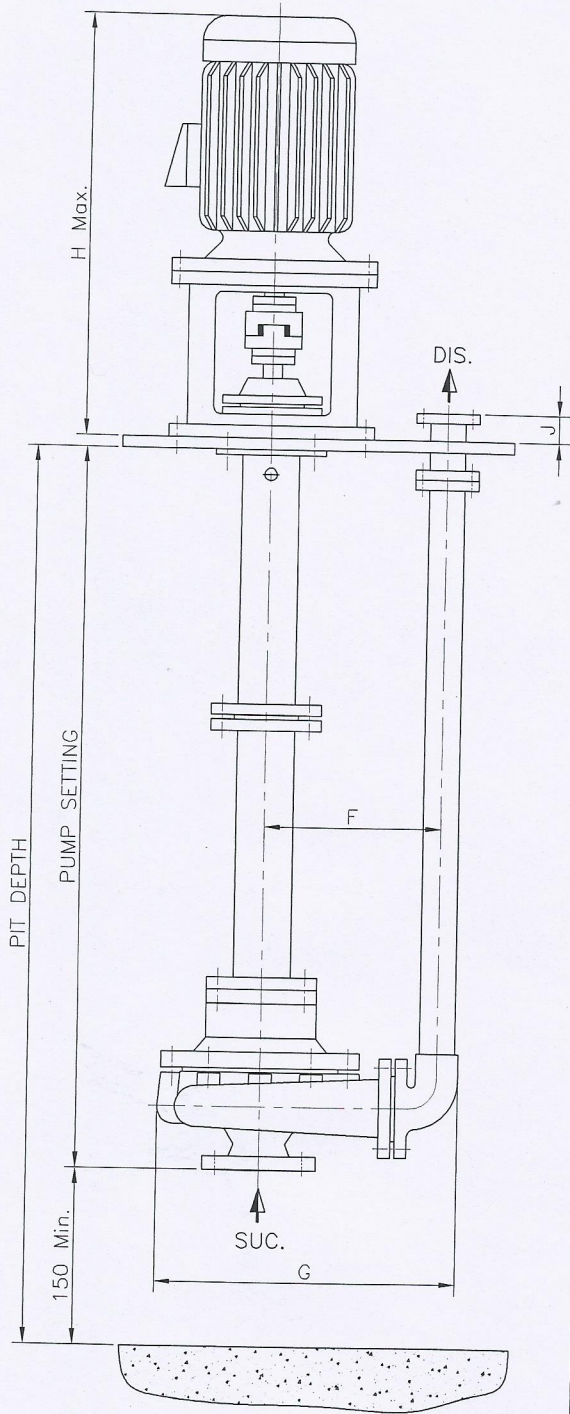
STUFFING BOX

It is given as a standard with DRY PIT construction upper Stuffing box can be given if vapour leakage is to prevented.

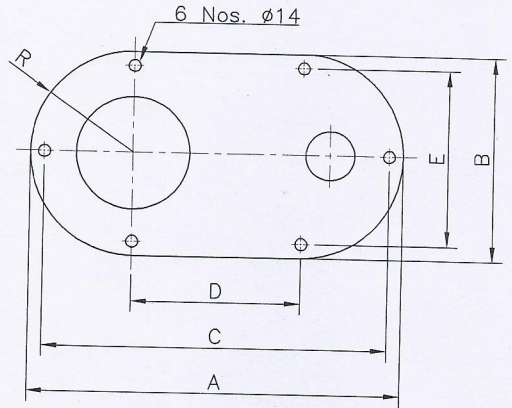
FIELD APPLICATION

- Slurries or Clear Liquids
- Corrosive Liquid
- Extreme tem. Thermic Liquid
- Hazardous , Inflammable & toxic Liquid.
- Solvents.

VERTICAL SUBMERGED PUMP



SUPPORT PLATE



DIMENSIONS						
A	B	C	D	E	R	THK.
						14

MODEL NO.	PUMP DIMENSIONS				PUMP SETTING	PIT DEPTH
	F	G	H	J		

Customer :
P.O. No :
P.O. Date :
Qty :
Pump Model :
Capacity :
Head in mtrs :
Sp. Gr. :
Motor HP./RPM:
MOC :
Sealing :
Pump Length :

DEVIATION :

DEALER ADDRESS :